

# Fixed Attenuator

## Model FA40-0202-KMKF Rev.A

DC-40GHz 2.92mm Fixed Attenuator; 2dB; 2W;

Micable FA40-0202-KMKF is a DC-40GHz fixed attenuator, it has excellent attenuation accuracy and VSWR. It's finished with passivated stainless steel body, and has rugged configuration and long life of use. It is ideal for the wideband system precision attenuation control, test and improvement of matching.



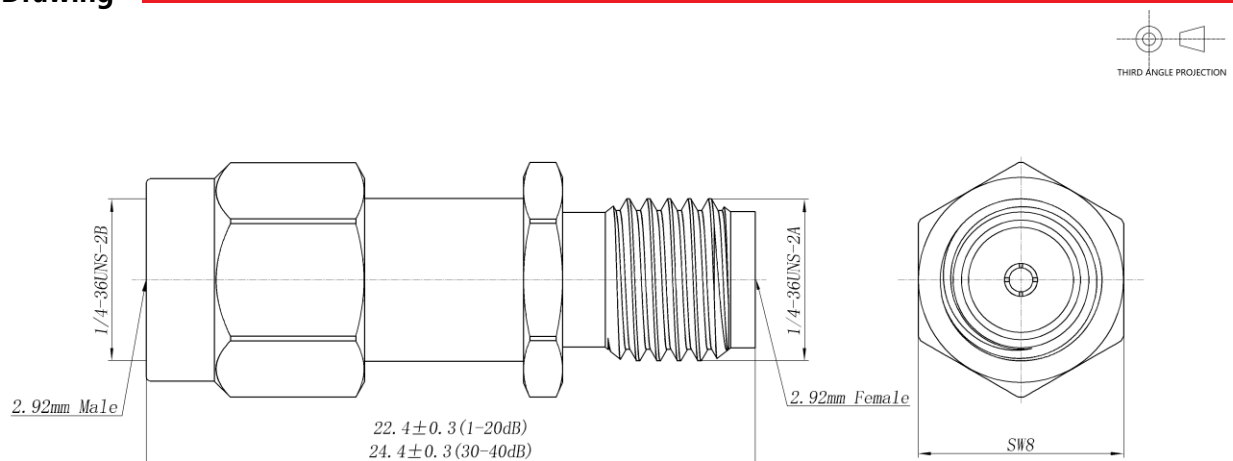
### Specifications

All specifications are subject to change without notice at any time

|                        |                             |           |           |           |
|------------------------|-----------------------------|-----------|-----------|-----------|
| Frequency Range        | GHz                         | DC-18     | 18-26.5   | 26.5-40   |
| VSWR                   | :1(Max.)                    | 1.25      | 1.3       | 1.35      |
| Attenuation            | dB(Typ.)                    | 2         | 2         | 2         |
| Attenuation Accuracy   | dB(Max.)                    | -0.8~+0.8 | -0.8~+0.8 | -0.8~+1.0 |
| Impedance              | 50Ω                         |           |           |           |
| Power                  | ≤2W                         |           |           |           |
| Durability             | ≥500 Cycles                 |           |           |           |
| Weight                 | ≤5g                         |           |           |           |
| Dimension <sup>1</sup> | Φ9.0x22.4 (mm)              |           |           |           |
| Interface              | 2.92mm [M] - 2.92mm [F]     |           |           |           |
| Outer Conductor        | Stainless steel, passivated |           |           |           |
| Center Conductor       | BeCu / Brass, gold plating  |           |           |           |
| Dielectric             | PEI                         |           |           |           |
| Temperature            | Operating: -55~+125°C       |           |           |           |

Note 1. Unless otherwise specified, Decimal tolerance: x.±0.3

### Outline Drawing



# Fixed Attenuator

## Model FA40-0202-KMKF Rev.A

DC-40GHz 2.92mm Fixed Attenuator; 2dB; 2W;

### Typical Graph

@Ambient Temperature

