

50Ω Adapter 1.0mm Female - 2.4mm Female

Part Number: 10-24-FF



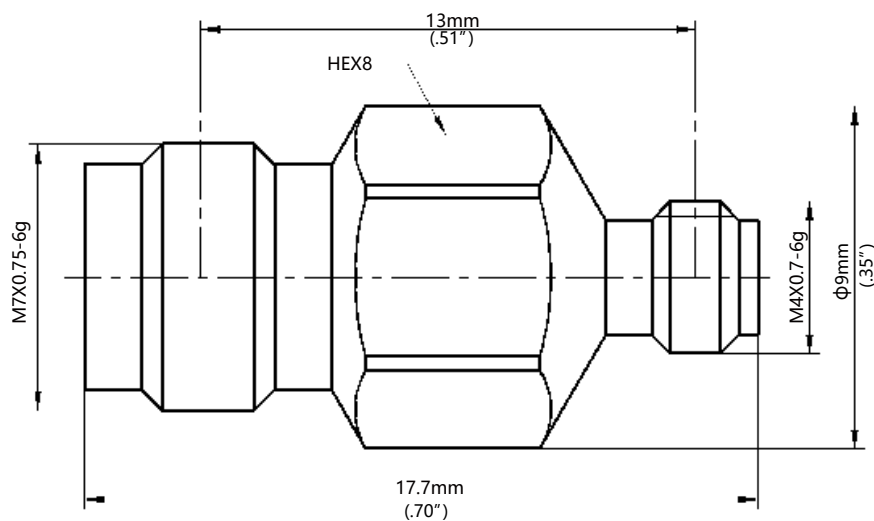
Specifications

Electrical Specifications at 25° C, all specifications are subject to change without notice at any time. Rev. A

Frequency Range	DC-50GHz
VSWR (Max.)	1.25:1
Insertion Loss (Max.)	0.35dB
Durability (Min.)	1000 cycles
Insulation Resistance (Min.)	5000 MΩ
Dielectric Withstanding Voltage (Min.)	500 Vrms
Operating Temperature	-65° C~+165° C
Outer Conductor	Stainless Steel Passivated
Center Conductor	Gold-Plated Beryllium Copper
Dielectric	PEI

Outline Drawing

Note. Unless otherwise specified, Decimal Note tolerance: ±0.2



50Ω Adapter 1.0mm Female - 2.4mm Female

Part Number: 10-24-FF

Electrical Specifications at 25° C, all specifications are subject to change without notice at any time. Rev. A

Typical Graph

