

Coaxial Termination

Model TM26-02-SF Rev.A

DC-26.5GHz SMA Termination; 2W;

Micable TM26-02-SF is a DC-26.5GHz ultra-wideband coaxial termination, it has very low VSWR less than 1.2:1 over DC-26.5GHz. The termination can absorb up to 2W CW signal power, has very wide operating temperature range of -55~+125°C. It is ideal for various applications like test, radar and communication etc.



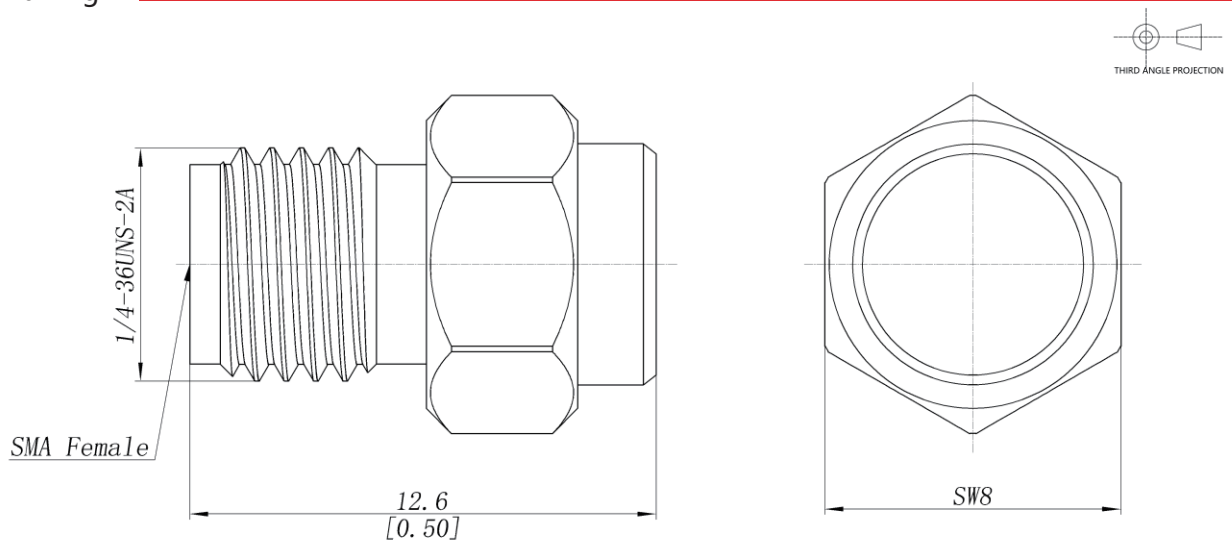
Specifications

All specifications are subject to change without notice at any time

Frequency Range	GHz	DC-26.5
VSWR	:1(Max.)	1.2
Impedance	50Ω	
Power	≤2W	
Durability	≥500 Cycles	
Weight	≤4g	
Dimension	Φ9.0x12.6 (mm)	
Interface	SMA [F]	
Outer Conductor	Stainless steel, passivated	
Center Conductor	BeCu, gold plating	
Dielectric	PTFE	
Temperature	Operating: -55~+125°C	

Note 1. Unless otherwise specified, Decimal tolerance: x.±0.3

Outline Drawing



Coaxial Termination

Model TM26-02-SF Rev.A

DC-26.5GHz SMA Termination; 2W;

Typical Graph

Typical test environment: 25°C and 60%RH

