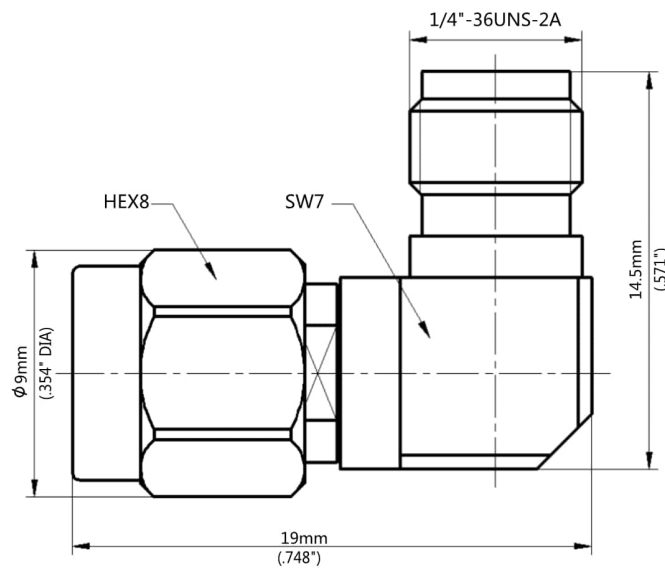


50Ω Adapters SMA Male - SMA Female 90°Right Angle

Part Number: SMA-MFW

Electrical Specifications at 25°C, all specifications are subject to change without notice at any time. Rev. A

Frequency Range	DC-18 GHz
VSWR (Max.)	1.25 : 1
Durability (Min.)	1000 Cycles
Insulation Resistance (Min.)	5000 MΩ
Operating Temperature	-65°C ~ +165°C
Body Material	Stainless Steel Passivated
Center Conductor	Brass & Beryllium Copper Gold Plated
Dielectric	PTFE



Electrical & Mechanical Specifications

2D Outline Drawing