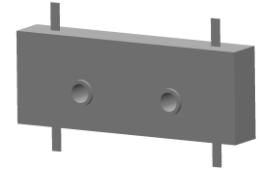


# 4-Port 90° Hybrid Coupler

## Model Q8T150300 Rev.A

1.5-3GHz 4-Port 3dB 90° Hybrid, Drop-In



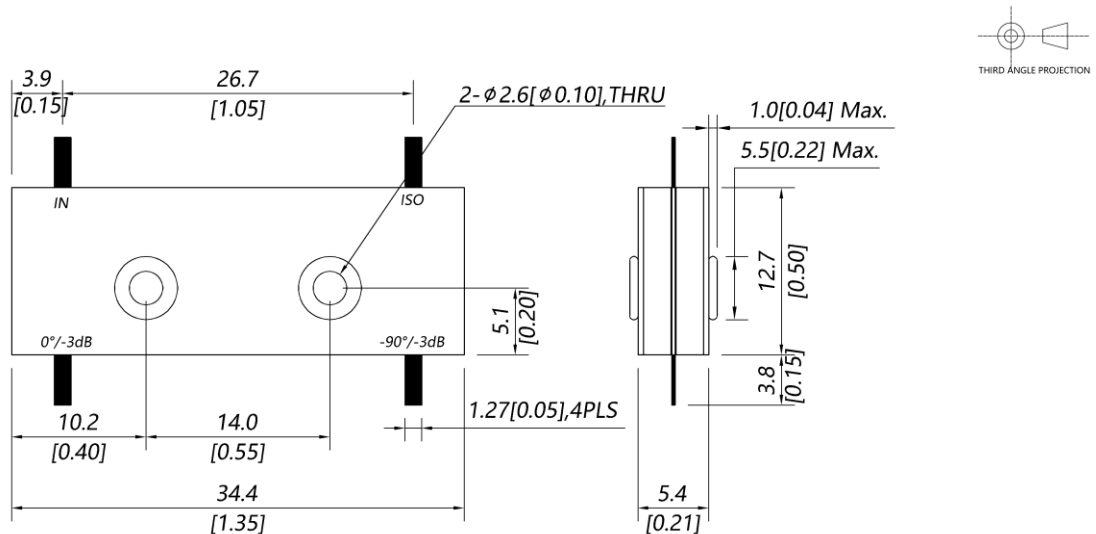
### Specifications

All specifications are subject to change without notice at any time

Frequency Range	GHz	1.5-3	
Nom. Phase	Deg. (Typ.)	90	
Ports VSWR	:1 (Max.)	1.3	
Insertion Loss <sup>1</sup>	dB(Max.)	0.25	
Amp. Unbalance	dB(Max.)	±0.5	
Phase Unbalance	Deg. (Max.)	±5	
Isolation	dB(Min.)	18	
Power <sup>2</sup>	W(Max.)	CW: 400	
Weight	g(Max.)	15	Dimension <sup>3</sup> mm (LxWxH) 12.7x34.4x5.4
Interface	Drop-In		
Finishing	Alloy iridite		
Temperature	Operating: -40~+70°C; Storage: -55~+85°C		
Environmental	N/A		
Eng. Customized	N/A		

- Note:
- Above theoretical 3dB and amplitude unbalance
  - VSWR ≤ 1.2 required for CW
  - Unless otherwise specified, Decimal tolerance: x±1; .x±0.5; .xx±0.25

### Outline Drawing



# 4-Port 90° Hybrid Coupler

## Model Q8T150300 Rev.A

1.5-3GHz 4-Port 3dB 90° Hybrid, Drop-In

### Typical Graph

Typical test temperature @25°C

