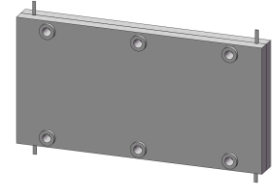


4-Port 90° Hybrid Coupler

Model Q8T010061 Rev.A

100-605MHz 4-Port 3dB 90° Hybrid, Drop-In



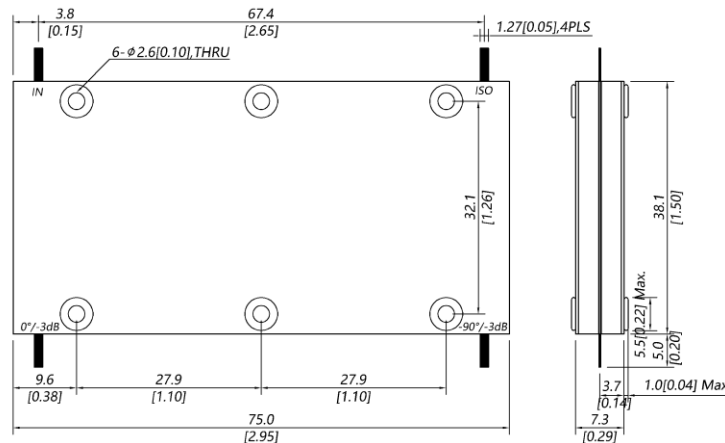
Specifications

All specifications are subject to change without notice at any time

Frequency Range	MHz	100-605	
Nom. Phase	Deg. (Typ.)	90	
Ports VSWR	:1 (Max.)	1.35	
Insertion Loss ¹	dB(Max.)	0.7	
Amp. Unbalance	dB(Max.)	±0.8	
Phase Unbalance	Deg. (Max.)	±5	
Isolation	dB(Min.)	16	
Power ²	W(Max.)	CW: 400	
Weight	g(Max.)	55	Dimension ³ mm (LxWxH) 38.1x75.0x7.3
Interface	Drop-In		
Finishing	Alloy iridite		
Temperature	Operating: -40~+70°C; Storage: -55~+85°C		
Environmental	N/A		
Eng. Customized	N/A		

- Note:
1. Above theoretical 3dB and amplitude unbalance
 2. VSWR ≤ 1.2 required for CW
 3. Unless otherwise specified, Decimal tolerance: x±1; .x±0.5; .xx±0.25

Outline Drawing



4-Port 90° Hybrid Coupler

Model Q8T010061 Rev.A

100-605MHz 4-Port 3dB 90° Hybrid, Drop-In

Typical Graph

Typical test temperature @25°C

