

4-Port 90° SMT Hybrid Coupler

Model Q5M200600 Rev.A

2-6GHz 4-Port 3dB 90° Hybrid, SMT



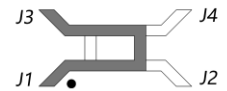
Specifications

All specifications are subject to change without notice at any time

Frequency Range	GHz	2-6
Nom. Phase	Deg. (Typ.)	90
Ports VSWR	:1 (Max.)	1.3
Insertion Loss ¹	dB(Max.)	0.25
Amp. Unbalance	dB(Max.)	±1.4
Phase Unbalance	Deg. (Max.)	±5
Isolation	dB(Min.)	17
Power ²	W(Max.)	CW: 250
Weight	g(Max.)	1
Dimension ³	mm (LxWxH)	8.89x14.22x2.35
Interface	Surface Mount	
Finishing	Immersion Gold	
Temperature	Operating: -55~+85°C; Storage: -55~+100°C	
Environmental	N/A	
Eng. Customized	N/A	

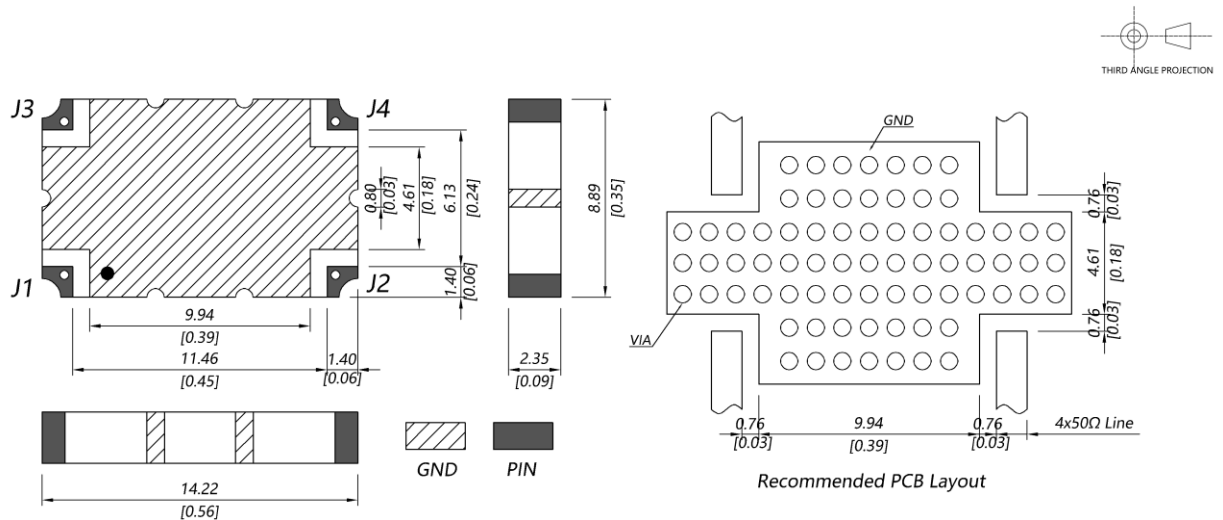
PORT CONFIGURATION

INPUT	J1	J2	J3	J4
J1	-	ISO	-90°	0°
J2	ISO	-	0°	-90°
J3	-90°	0°	-	ISO
J4	0°	-90°	ISO	-



- Note:
- Above theoretical 3dB and amplitude unbalance
 - VSWR ≤ 1.2 required for CW
 - Unless otherwise specified, Decimal tolerance: x.±1; .x±0.5; .xx±0.25

Outline Drawing



4-Port 90° SMT Hybrid Coupler

Model Q5M200600 Rev.A

2-6GHz 4-Port 3dB 90° Hybrid, SMT

Typical Graph

Typical test temperature @25°C

