

4-Port 90° SMT Hybrid Coupler

Model Q2M200680 Rev.A

2-6.8GHz 4-Port 3dB 90° Hybrid, SMT



Specifications

All specifications are subject to change without notice at any time

Frequency Range	GHz	2-6.8	
Nom. Phase	Deg. (Typ.)	90	
Ports VSWR	:1 (Max.)	1.3	
Insertion Loss ¹	dB(Max.)	0.35	
Amp. Unbalance	dB(Max.)	±1.25	
Phase Unbalance	Deg. (Max.)	±5	
Isolation	dB(Min.)	17	
Power ²	W(Max.)	CW: 100	
Weight	g(Max.)	1	Dimension ³ mm (LxWxH) 5.08x14.22x3.29
Interface	Surface Mount		
Finishing	Immersion Gold		
Temperature	Operating: -55~+85°C; Storage: -55~+100°C		
Environmental	N/A		
Eng. Customized	N/A		

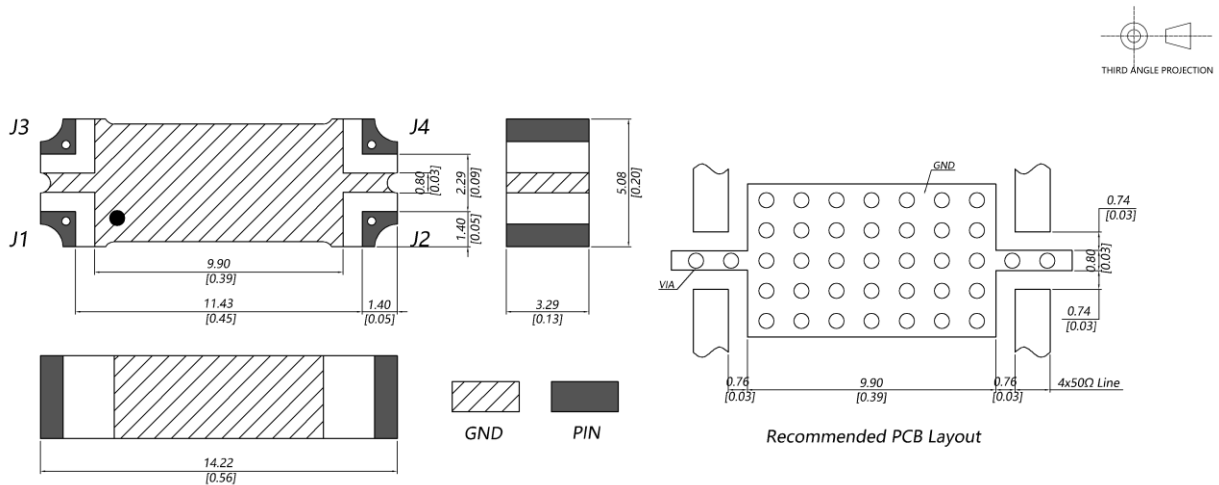
PORT CONFIGURATION

INPUT	J1	J2	J3	J4
J1	-	ISO	0°	-90°
J2	ISO	-	-90°	0°
J3	0°	-90°	-	ISO
J4	-90°	0°	ISO	-



- Note:
- Above theoretical 3dB and amplitude unbalance
 - VSWR ≤ 1.2 required for CW
 - Unless otherwise specified, Decimal tolerance: x±1; .x±0.5; .xx±0.25

Outline Drawing



4-Port 90° SMT Hybrid Coupler

Model Q2M200680 Rev.A

2-6.8GHz 4-Port 3dB 90° Hybrid, SMT

Typical Graph

Typical test temperature @25°C

