

# 4-Port 90° SMT Hybrid Coupler

## Model Q2M157258 Rev.A

1.575-2.575GHz 4-Port 3dB 90° Hybrid, SMT



### Specifications

All specifications are subject to change without notice at any time

Frequency Range	GHz	1.575-2.575	
Nom. Phase	Deg. (Typ.)	90	
Ports VSWR	:1 (Max.)	1.2	
Insertion Loss <sup>1</sup>	dB(Max.)	0.3	
Amp. Unbalance	dB(Max.)	±0.4	
Phase Unbalance	Deg. (Max.)	±5	
Isolation	dB(Min.)	20	
Power <sup>2</sup>	W(Max.)	CW: 100	
Weight	g(Max.)	1	Dimension <sup>3</sup> mm (LxWxH) 8.89x14.22x2.00
Interface	Surface Mount		
Finishing	Immersion Gold		
Temperature	Operating: -55~+85°C; Storage: -55~+100°C		
Environmental	N/A		
Eng. Customized	N/A		

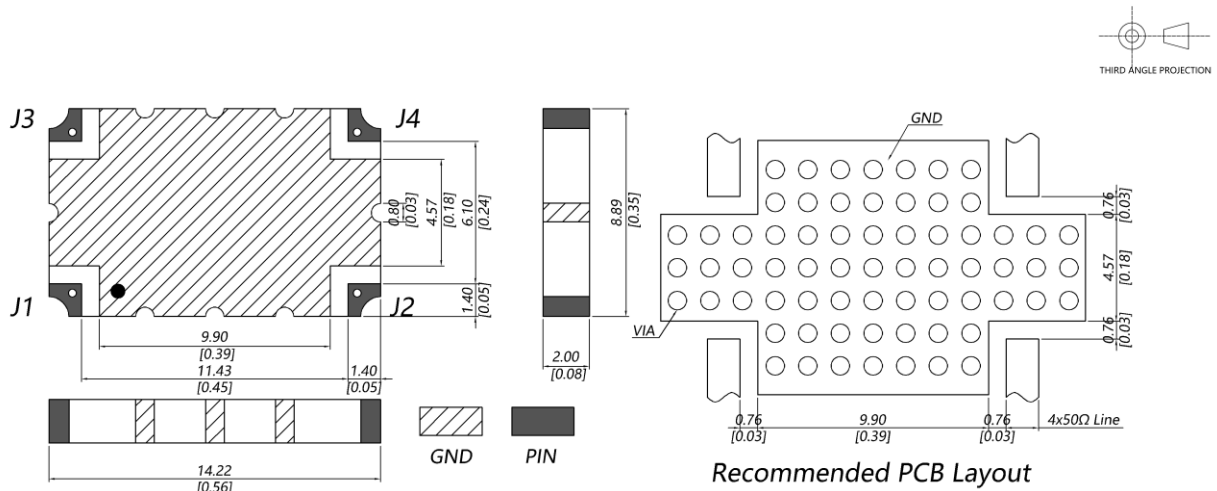
#### PORT CONFIGURATION

INPUT	J1	J2	J3	J4
J1	-	ISO	0°	-90°
J2	ISO	-	-90°	0°
J3	0°	-90°	-	ISO
J4	-90°	0°	ISO	-



- Note:
- Above theoretical 3dB and amplitude unbalance
  - VSWR ≤ 1.2 required for CW
  - Unless otherwise specified, Decimal tolerance: x.±1; .x±0.5; .xx±0.25

### Outline Drawing



# 4-Port 90° SMT Hybrid Coupler

## Model Q2M157258 Rev.A

1.575-2.575GHz 4-Port 3dB 90° Hybrid, SMT

### Typical Graph

Typical test temperature @25°C

