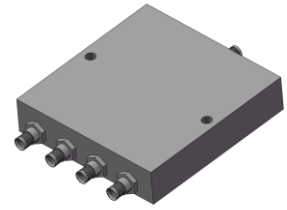


Power Divider

Model P04T00800420 Rev.A

0.8-4.2GHz 4-Way Power Combiner, Coaxial connector



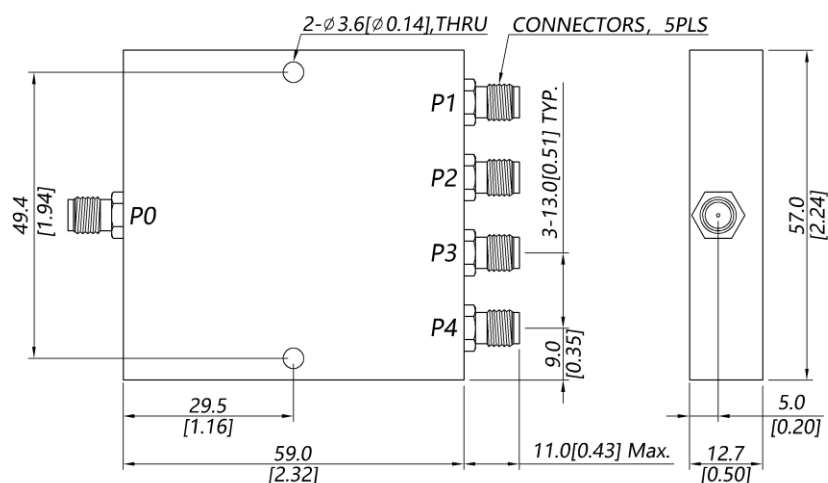
Specifications

All specifications are subject to change without notice at any time

Frequency Range	GHz	0.8-4.2	
Sum VSWR	:1 (Max.)	1.4	
Distri. VSWR	:1 (Max.)	1.3	
Insertion Loss ¹	dB(Max.)	1.2	
Amp. Unbalance	dB(Max.)	±0.3	
Phase Unbalance	Deg. (Max.)	±4	
Isolation	dB(Min.)	18	
Power ²	W(Max.)	CW: FOR 30, REV 1; Peak: 500	
Weight	g(Max.)	90	Dimension ³ mm (LxWxH) 59.0x57.0x12.7
Interface	Stainless steel connector; Sum: SMA [F], Distri.: SMA [F]		
Finishing	Alloy iridite		
Temperature	Operating: -40~+70°C; Storage: -55~+85°C		
Environmental	N/A		
Eng. Customized	N/A		

- Note:
1. Above Theoretical Loss 6dB
 2. VSWR ≤ 1.2 required for CW
 3. Unless otherwise specified, Decimal tolerance: x±1; .x±0.5; .xx±0.1

Outline Drawing



Power Divider

Model P04T00800420 Rev.A

0.8-4.2GHz 4-Way Power Combiner, Coaxial connector

Typical Graph

Typical test temperature @25°C

