

Power Divider/Combiner

Model P02N003400 Rev.A

0.3-40GHz 2-Way Power Divider/Combiner, Coaxial connector



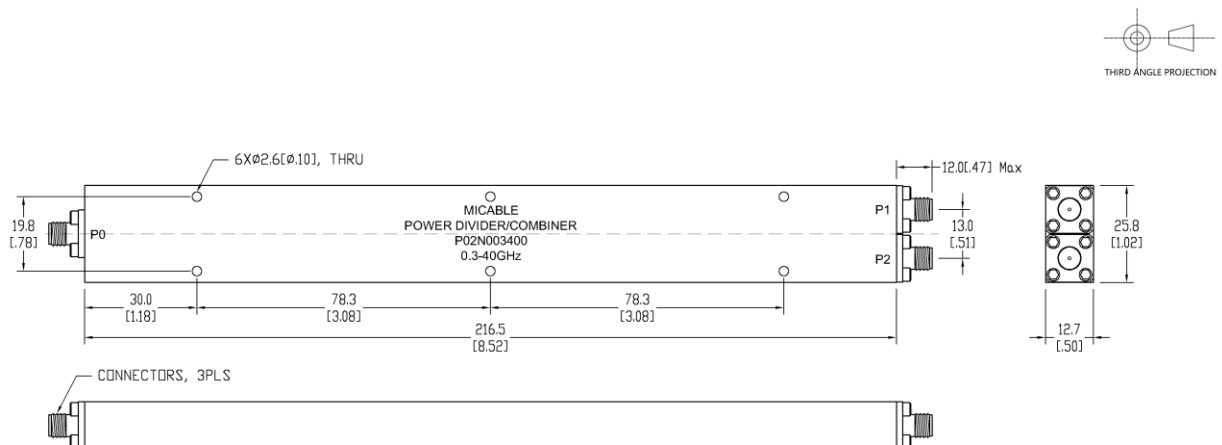
Specifications

All specifications are subject to change without notice at any time

Frequency Range	GHz	0.3-18	18-26.5	26.5-40
Sum VSWR	:1 (Max.)	1.5	1.6	1.6
Distri. VSWR	:1 (Max.)	1.5	1.6	1.6
Insertion Loss ¹	dB(Max.)	2.4	3.2	4.4
Amp. Unbalance	dB(Max.)	±0.3	±0.4	±0.4
Phase Unbalance	Deg. (Max.)	±4	±5	±6
Isolation	dB(Min.)	16	18	18
Power ²	W(Max.)	CW: FOR 20, REV 2; Peak: 3000		
Weight	g(Max.)	235	Dimension ³ mm (LxWxH)	216.5x25.8x12.7
Interface	Sum: 2.92mm [F], Distri.: 2.92mm [F]; Stainless steel connector, Per IEC 61169			
Finishing	Alloy iridite, Per MIL-DTL-5541F			
Temperature	Operating: -55~+85°C; Storage: -55~+100°C			
Environmental	Optional: Per MIL-STD-202F (contact supplier for detail info.)			
Eng. Customized	N/A			

- Note:
- Above Theoretical Loss 3dB
 - VSWR ≤ 1.2 required for forward CW; Amp. & phase unbalance required for reversed input signals
 - Unless otherwise specified, Decimal tolerance: x.±1; .x±0.5; .xx±0.1

Outline Drawing



Power Divider/Combiner

Model P02N003400 Rev.A

0.3-40GHz 2-Way Power Divider/Combiner, Coaxial connector

Typical Graph

@Ambient Temperature

