

◆ Product Description

Micable has developed a programmable attenuator MDA180400-110E covering 18-40GHz, and user can control the attenuator via USB/Ethernet with 0.1dB step, 110dB attenuation dynamic range over whole band. User can control this unit through the GUI user interface software provided by Micable, or control this unit by programming through the DLL dynamic link library file. Custom designs are available with frequency range over 0.5-40GHz.

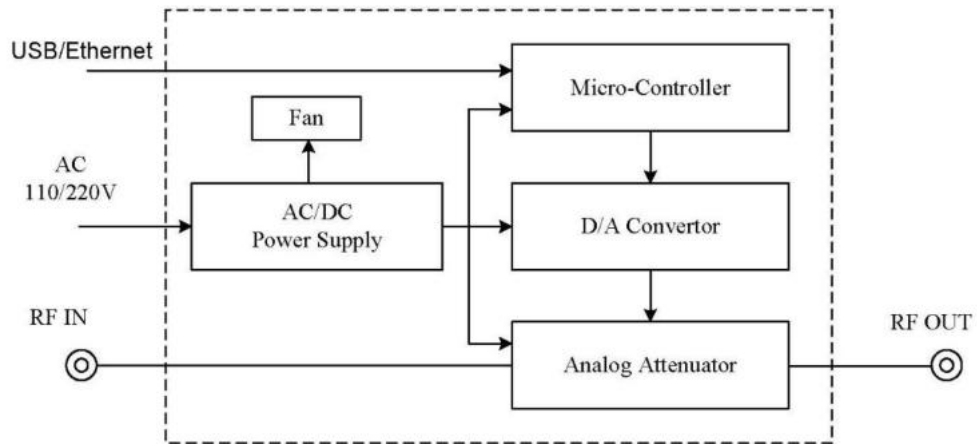
◆ Key Features

- Wide attenuation dynamic range, up to 120dB option
- Wide frequency range option, 0.5-40GHz option
- Fine attenuation resolution, down to 0.1dB
- High absolute attenuator accuracy, 0.2dB Max, 0.1dB Typ. @0-50dB Att
- USB/Ethernet control, easy to install and use
- User friendly graphical user interface for any windows® 32 or 64 bit computer

◆ Specifications (@25°C)

Parameter	Conditions	Min.	Typ.	Max.	Unit
Attenuation Range	0.1 dB Step	0		110	dB
Attenuation Accuracy	@ 0-50 dB		±0.1	±0.2	dB
	@50-110 dB		±0.2 dB	±0.4 dB	dB
Insertion Loss				14	dB
VSWR	@ 0-50 dB			2.3:1	
Input Operation Power RF In & RF Out Ports (Without Performance Degradation)				10	dBm
Survival Input Power RF In & RF Out Ports (No Damage)				23	dBm
Supply Voltage		100		240	VAC
Control Mode	USB / Ethernet				
RF In & Out Connector	2.92mm-F				
Size	227 x 114 x 50 (Without Base Plate)				mm
Operating Temperature	0 ~ 50				°C
Storage Temperature	-20 ~ 70				°C

◆ Schematic Diagram



◆ Outline Drawing

Unit: mm

