

◆ Product Description

Micable has developed a programmable attenuator MDA004060-50E covering 0.4-6GHz, and user can control the attenuator via USB/Ethernet with 1dB step, 50dB attenuation dynamic range over whole band. User can control this unit through the GUI user interface software provided by Micable, or control this unit by programming through the DLL dynamic link library file. Custom designs are available with frequency range over 0.5-40GHz.

◆ Key Features

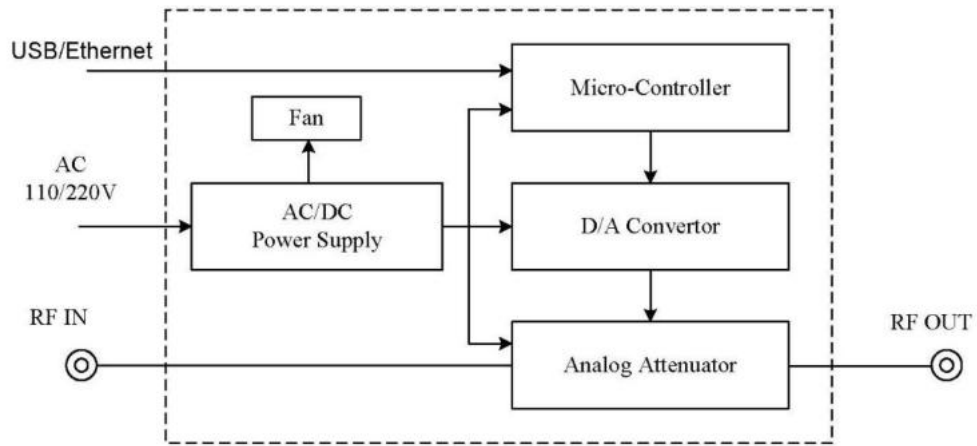
- Wide attenuation dynamic range, up to 120dB option
- Wide frequency range option, 0.5-40GHz option
- Fine attenuation resolution, down to 0.1dB
- High absolute attenuator accuracy, 0.2dB Max, 0.1dB Typ.
- USB/Ethernet control, easy to install and use
- User friendly graphical user interface for any windows® 32 or 64 bit computer

◆ Specifications (@25°C)

Parameter	Conditions	Min.	Typ.	Max.	Unit
Attenuation Range	1 dB Step	0		50	dB
Attenuation Accuracy	@ 0-50 dB		±0.1	±0.2	dB
Insertion Loss	@ 0 dB Att			5	dB
VSWR	@ 0-50 dB			2.0:1	
Input Operation Power RF In & RF Out Ports (Without Performance Degradation)				17*	dBm
Survival Input Power RF In & RF Out Ports (No Damage)				33	dBm
Supply Voltage		100		240	VAC
Control Mode	USB / Ethernet				
RF In & Out Connector	SMA-F				
Size	227 x 114 x 50 (Without Base Plate)				mm
Operating Temperature	0 ~ 50				°C
Storage Temperature	-20 ~ 70				°C

*The maximum value is within the 0.4-1.5GHz frequency band, linearly increasing from -3dBm to +17dBm with frequency (GHz)

◆ Schematic Diagram



◆ Outline Drawing

Unit: mm

