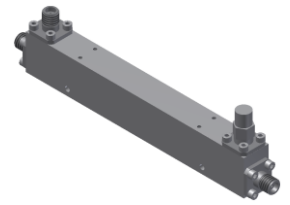


DC Start Directional Coupler

Model DC20-400 Rev.A

DC-40GHz 20dB Directional Coupler, Coaxial connector



Micable DC20-400 can work at DC-40GHz. It has very accurate coupling over 0.5-40GHz and repeated consistent coupling below 0.5GHz. It is ideal for test instrument, wideband signal sampling and power monitoring

Specifications

All specifications are subject to change without notice at any time

Frequency Range	GHz	DC-0.3	0.3-0.5	0.5-26.5	26.5-40
Input VSWR	:1 (Typ./Max.)	1.1/1.3	1.1/1.3	1.3/1.6	1.4/1.7
Thru. VSWR	:1 (Typ./Max.)	1.1/1.3	1.1/1.3	1.3/1.6	1.4/1.7
Coupling VSWR	:1 (Typ./Max.)	1.1/1.3	1.1/1.3	1.3/1.6	1.4/1.7
Insertion Loss	dB(Typ./Max.)	0.2/0.5	0.2/0.5	1.2/2	1.8/2.6
Coupling	dB(Typ./Max.)	35/-	22/-	20/20±2.2	20/20±2.2
Directivity	dB(Typ./Min.)	25/-	25/-	16/12	13/10

Power¹ W(Max.) CW: 20; Peak: 3000

Weight g(Max.) 90 Dimension² mm 111.8x12.7x17.8

Interface Main line: 2.92mm [F], Coup.: 2.92mm [F]; Stainless steel connector, Per IEC 61169

Finishing Nickel plating, Per QQ-N-290

Temperature Operating: -55--+85°C; Storage: -55--+100°C

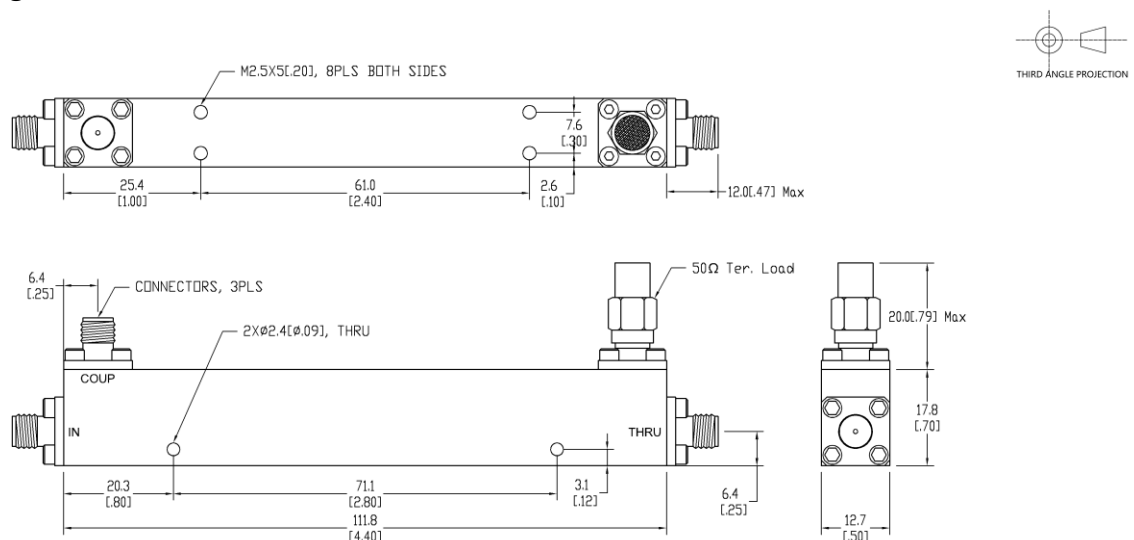
Environmental Optional: Per MIL-STD-202F (contact supplier for detail info.)

Eng. Customized N/A

Note: 1. VSWR ≤1.2 required for CW

2. Unless otherwise specified, Decimal tolerance: x±1; .x±0.5; .xx±0.1

Outline Drawing



DC Start Directional Coupler

Model DC20-400 Rev.A

DC-40GHz 20dB Directional Coupler, Coaxial connector

Typical Graph

@Ambient Temperature

