

# SMT Bi-Directional Coupler

## Model D1501M100200 Rev.A

1-2GHz 15dB Bi-Directional Coupler, SMT



### Specifications

All specifications are subject to change without notice at any time

Frequency Range	GHz	1-2
Main Line VSWR	:1 (Max.)	1.25
Coupling VSWR	:1 (Max.)	1.25
Insertion Loss <sup>1</sup>	dB(Max.)	0.25
Coupling	dB(Max.)	15±1
Flatness	dB(Max.)	±1
Directivity	dB(Min.)	16

### PORT CONFIGURATION

INPUT	OUTPUT	FORWARD COUPLED	REFLECTED COUPLED
J1	J2	J3	J4 ADD 50Ω TERMINATION
J1	J2	J3 ADD 50Ω TERMINATION	J4
J2	J1	J4	J3 ADD 50Ω TERMINATION
J2	J1	J4 ADD 50Ω TERMINATION	J3

Power<sup>2</sup> W(Max.) CW: 50

Weight g(Max.) 1 Dimension<sup>3</sup> mm (LxWxH) 6.30x5.80x2.00

Interface Surface Mount

Finishing Immersion Gold

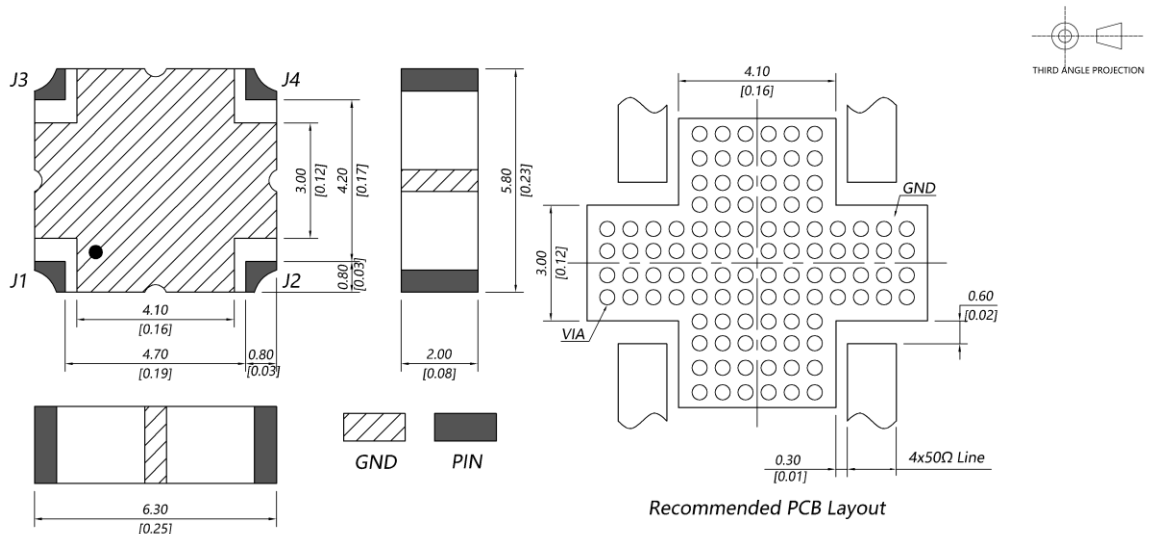
Temperature Operating: -55~+85°C; Storage: -55~+100°C

Environmental N/A

Eng. Customized N/A

- Note:
1. Power loss at coupled port excluded
  2. VSWR ≤ 1.2 required for CW
  3. Unless otherwise specified, Decimal tolerance: x.±1; .x±0.5; .xx±0.25

### Outline Drawing



# SMT Bi-Directional Coupler

## Model D1501M100200 Rev.A

1-2GHz 15dB Bi-Directional Coupler, SMT

### Typical Graph

@ Ambient Temperature

