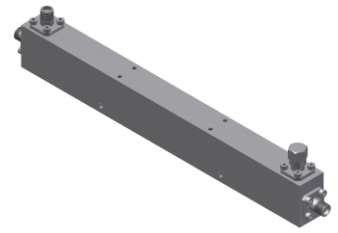


# Directional Coupler

## Model D10N003180 Rev.B

0.3-18GHz 10dB Directional Coupler, Coaxial connector



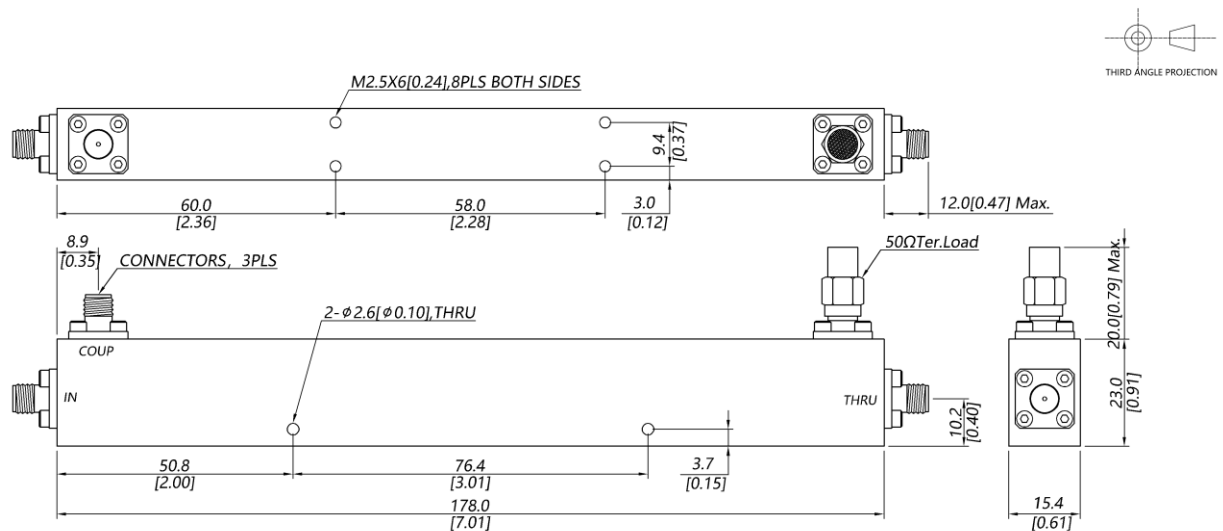
### Specifications

All specifications are subject to change without notice at any time

Frequency Range	GHz	0.3-8	8-18
Main Line VSWR	:1 (Max.)	1.3	1.4
Coupling VSWR	:1 (Max.)	1.3	1.4
Insertion Loss <sup>1</sup>	dB(Max.)	1.6	2
Coupling	dB(Max.)	10±0.8	10±0.8
Flatness	dB(Max.)	±1.1	±1.1
Directivity	dB(Min.)	15	13
Power <sup>2</sup>	W(Max.)	CW: 30; Peak: 3000	
Weight	g(Max.)	190	Dimension <sup>3</sup> mm (LxWxH) 178x15.4x23.0
Interface	Stainless steel connector; Input: SMA [F], Thru.: SMA [F], Coup.: SMA [F]		
Finishing	Nickel plating		
Temperature	Operating: -55~+85°C; Storage: -55~+100°C		
Environmental	Per MIL-STD-202F, Method 107D, 204D, 213B (optional, contact supplier for detail info.)		
Eng. Customized	N/A		

- Note:
1. Theoretical 0.46dB Included
  2. VSWR ≤1.2 required for CW
  3. Unless otherwise specified, Decimal tolerance: x.±1; .x±0.5; .xx±0.1

### Outline Drawing



# Directional Coupler

## Model D10N003180 Rev.B

0.3-18GHz 10dB Directional Coupler, Coaxial connector

### Typical Graph

Typical test temperature @25°C

