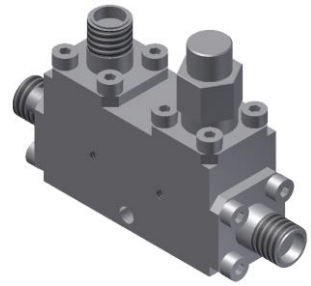


Directional Coupler

Model D06N060265 Rev.A

6-26.5GHz 6dB Directional Coupler, Coaxial connector



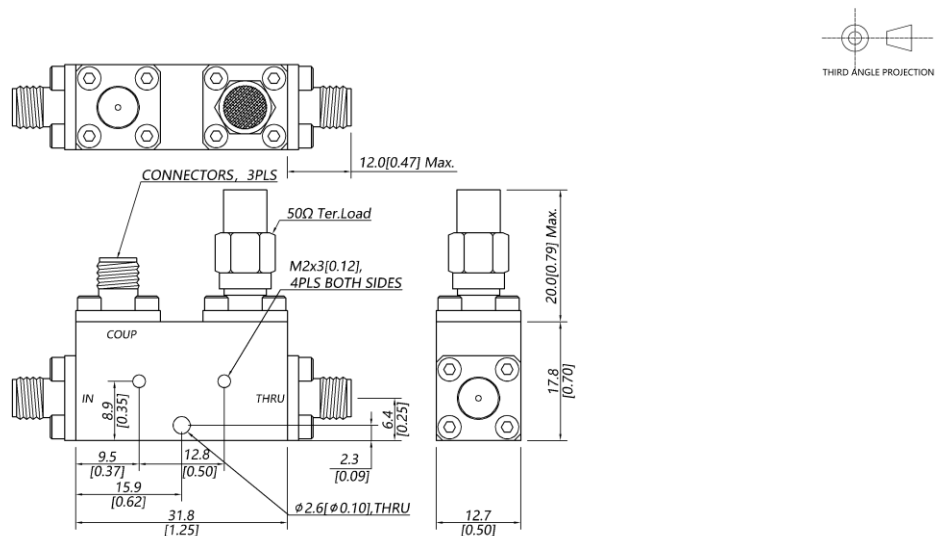
All specifications are subject to change without notice at any time

Specifications

Frequency Range	GHz	6-18	18-26.5
Main Line VSWR	:1 (Max.)	1.4	1.5
Coupling VSWR	:1 (Max.)	1.4	1.5
Insertion Loss ¹	dB(Max.)	2	2.3
Coupling	dB(Max.)	6±0.6	6±0.6
Flatness	dB(Max.)	±0.8	±0.8
Directivity	dB(Min.)	15	13
Power ²	W(Max.)	CW: 30; Peak: 3000	
Weight	g(Max.)	45	Dimension ³ mm (LxWxH) 31.8x12.7x17.8
Interface	Stainless steel connector; Input: SMA [F], Thru.: SMA [F], Coup.: SMA [F]		
Finishing	Nickel plating		
Temperature	Operating: -55~+85°C; Storage: -55~+100°C		
Environmental	Per MIL-STD-202F, Method 107D, 204D, 213B (optional, contact supplier for detail info.)		
Eng. Customized	N/A		

- Note:
1. Theoretical 1.25dB Included
 2. VSWR ≤1.2 required for CW
 3. Unless otherwise specified, Decimal tolerance: x±1; .x±0.5; .xx±0.1

Outline Drawing



Directional Coupler

Model D06N060265 Rev.A

6-26.5GHz 6dB Directional Coupler, Coaxial connector

Typical Graph

Typical test temperature @25°C

