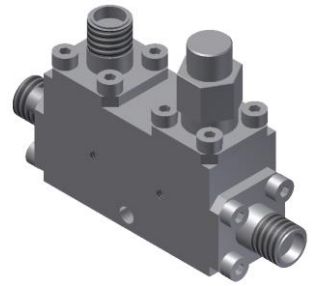


Directional Coupler

Model D06N060180 Rev.A

6-18GHz 6dB Directional Coupler, Coaxial connector



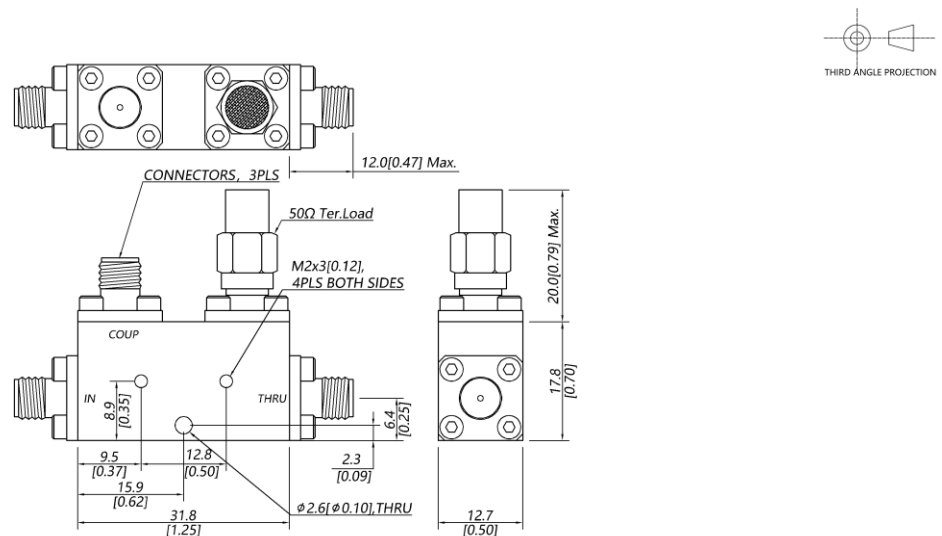
All specifications are subject to change without notice at any time

Specifications

Frequency Range	GHz	6-18
Main Line VSWR	:1 (Max.)	1.4
Coupling VSWR	:1 (Max.)	1.4
Insertion Loss ¹	dB(Max.)	2
Coupling	dB(Max.)	6±0.5
Flatness	dB(Max.)	±0.7
Directivity	dB(Min.)	15
Power ²	W(Max.)	CW: 30; Peak: 3000
Weight	g(Max.)	45
Dimension ³	mm (LxWxH)	31.8x12.7x17.8
Interface	Stainless steel connector; Input: SMA [F], Thru.: SMA [F], Coup.: SMA [F]	
Finishing	Nickel plating	
Temperature	Operating: -55~+85°C; Storage: -55~+100°C	
Environmental	Per MIL-STD-202F, Method 107D, 204D, 213B (optional, contact supplier for detail info.)	
Eng. Customized	N/A	

- Note:
1. Theoretical 1.25dB Included
 2. VSWR ≤1.2 required for CW
 3. Unless otherwise specified, Decimal tolerance: x.±1; .x±0.5; .xx±0.1

Outline Drawing



Directional Coupler

Model D06N060180 Rev.A

6-18GHz 6dB Directional Coupler, Coaxial connector

Typical Graph

Typical test temperature @25°C

