

50Ω Adapters 1.85mm Male - 2.92mm Female

Part Number: 185-292-MF

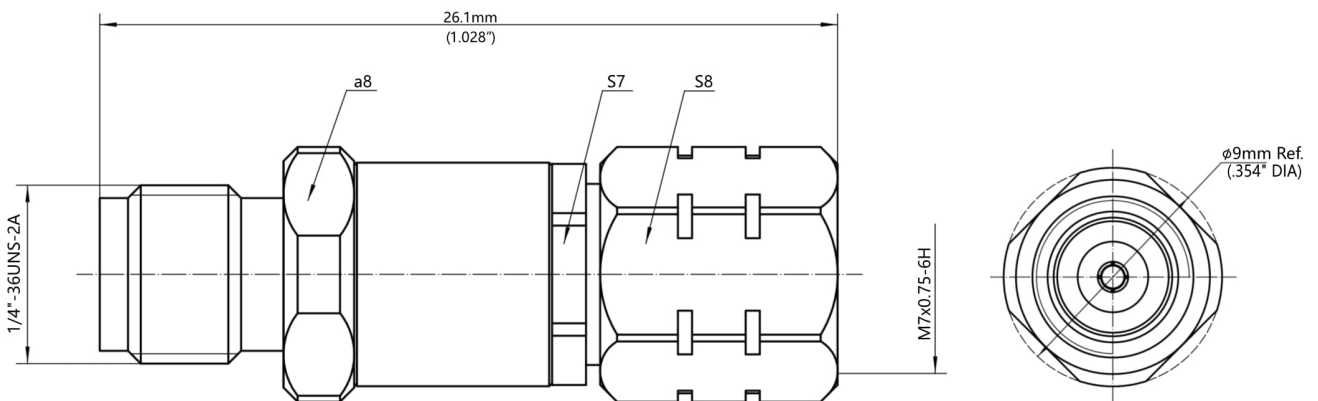


Electrical Specifications at 25°C, all specifications are subject to change without notice at any time. Rev. A

Frequency Range	DC-40 GHz
VSWR (Max.)	1.15: 1
Durability (Min.)	1000 Cycles
Insulation Resistance (Min.)	2000 MΩ
Operating Temperature	-65°C ~ +165°C
Body Material	Stainless Steel Passivated
Center Conductor	Beryllium Bronze Gold Plated
Dielectric	PEI

Electrical & Mechanical Specifications

2D Outline Drawing



Fujian MiCable Electronic Technology Group Co.,Ltd

www.micable.cn

+86 400-918-0388

sales@micable.cn