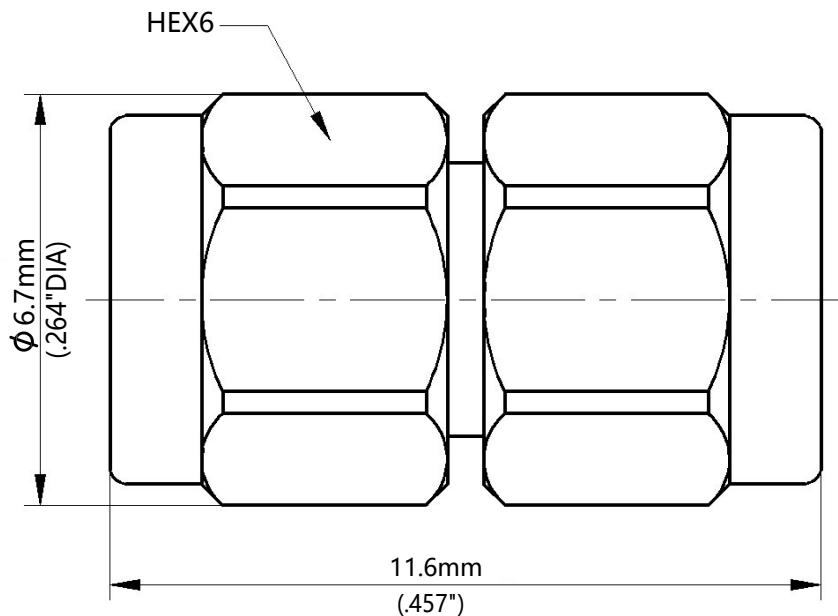


50Ω Adapters 1.0mm Male - 1.0mm Male

Part Number: 10-MM

Electrical Specifications at 25°C, all specifications are subject to change without notice at any time. Rev. A

Frequency Range	DC-110GHz
VSWR (Max.)	1.25:1
Insertion Loss (Max.)	0.65dB
Durability (Min.)	1000Cycles
Insulation Resistance (Min.)	5000MΩ
Operating Temperature	-65°C ~ +165°C
Body Material	Stainless Steel Passivated
Center Conductor	Beryllium Copper Gold Plated
Dielectric	PEI



Electrical & Mechanical Specifications

2D Outline Drawing

50Ω Adapters 1.0mm Male - 1.0mm Male

Part Number: 10-MM

Electrical Specifications at 25°C, all specifications are subject to change without notice at any time. Rev. A

