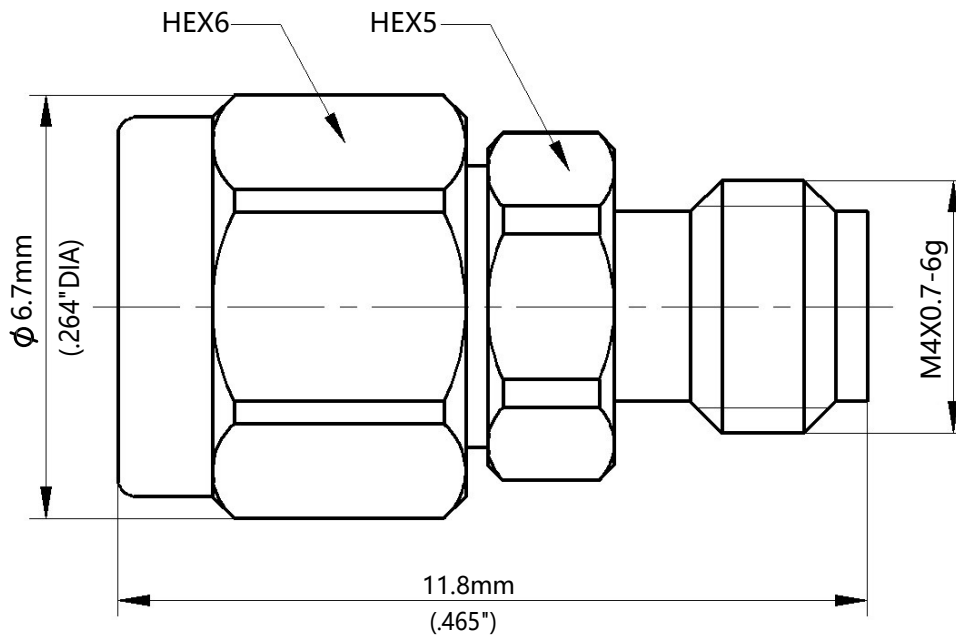


50Ω Adapters 1.0mm Male - 1.0mm Female

Part Number: 10-MF

Electrical Specifications at 25°C, all specifications are subject to change without notice at any time. Rev. A

| | |
|------------------------------|------------------------------|
| Frequency Range | DC-110GHz |
| VSWR (Max.) | 1.25:1 |
| Insertion Loss (Max.) | 0.65dB |
| Durability (Min.) | 1000Cycles |
| Insulation Resistance (Min.) | 5000MΩ |
| Operating Temperature | -65°C ~ +165°C |
| Body Material | Stainless Steel Passivated |
| Center Conductor | Beryllium Copper Gold Plated |
| Dielectric | PEI |



50Ω Adapters 1.0mm Male - 1.0mm Female

Part Number: 10-MF

Electrical Specifications at 25°C, all specifications are subject to change without notice at any time. Rev. A

