

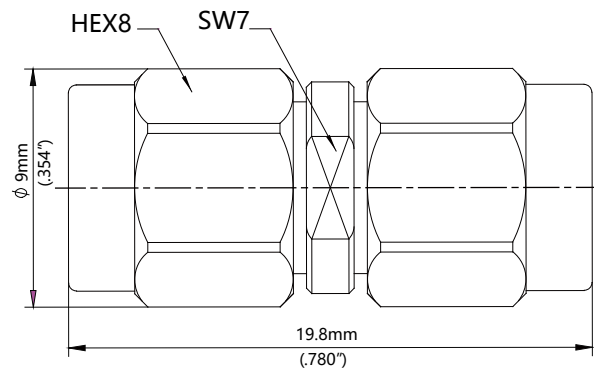
50Ω Adapters SMA Male - SMA Male

Part Number: SMA-MMH



Electrical Specifications at 25°C, all specifications are subject to change without notice at any time. Rev. B

Frequency Range	DC-27GHz
VSWR (Max.)	1.15:1
Insertion Loss (Min.)	0.25dB
Durability (Min.)	1000 Cycles
Insulation Resistance (Min.)	5000 MΩ
Operating Temperature	-65°C ~ +165°C
Body Material	Stainless Steel Passivated
Center Conductor	Brass Gold Plated
Dielectric	PTFE



2D Outline Drawing

50Ω Adapters SMA Male - SMA Male

Part Number: SMA-MMH



Electrical Specifications at 25°C, all specifications are subject to change without notice at any time. Rev. A



Typical Graph

