

Power Divider/Combiner

Model P06N180265 Rev.A

18-26.5GHz 6-Way Power Divider/Combiner, Coaxial connector



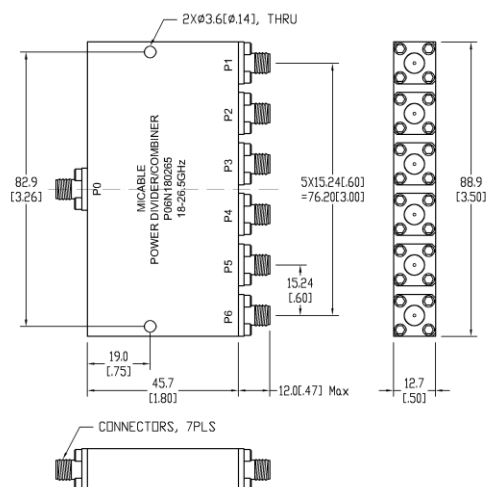
Specifications

All specifications are subject to change without notice at any time

Frequency Range	GHz	18-26.5	
Sum VSWR	:1 (Max.)	1.5	
Distri. VSWR	:1 (Max.)	1.6	
Insertion Loss ¹	dB(Max.)	1.8	
Amp. Unbalance	dB(Max.)	±0.5	
Phase Unbalance	Deg. (Max.)	±7	
Isolation	dB(Min.)	17	
Power ²	W(Max.)	CW: FOR 30, REV 2; Peak: 3000	
Weight	g(Max.)	175	Dimension ³ mm (LxWxH) 45.7x88.9x12.7
Interface	Sum: SMA [F], Distri.: SMA [F]; Stainless steel connector, Per IEC 61169		
Finishing	Alloy iridite, Per MIL-DTL-5541F		
Temperature	Operating: -55~+85°C; Storage: -55~+100°C		
Environmental	Optional: Per MIL-STD-202F (contact supplier for detail info.)		
Eng. Customized	N/A		

- Note:
- Above Theoretical Loss 7.8dB
 - VSWR ≤ 1.2 required for forward CW; Amp. & phase unbalance required for reversed input signals
 - Unless otherwise specified, Decimal tolerance: x.±1; .x±0.5; .xx±0.1

Outline Drawing



Power Divider/Combiner

Model P06N180265 Rev.A

18-26.5GHz 6-Way Power Divider/Combiner, Coaxial connector

Typical Graph

@Ambient Temperature

