

Power Divider/Combiner

Model P06N010265 Rev.A

1-26.5GHz 6-Way Power Divider/Combiner, Coaxial connector



All specifications are subject to change without notice at any time

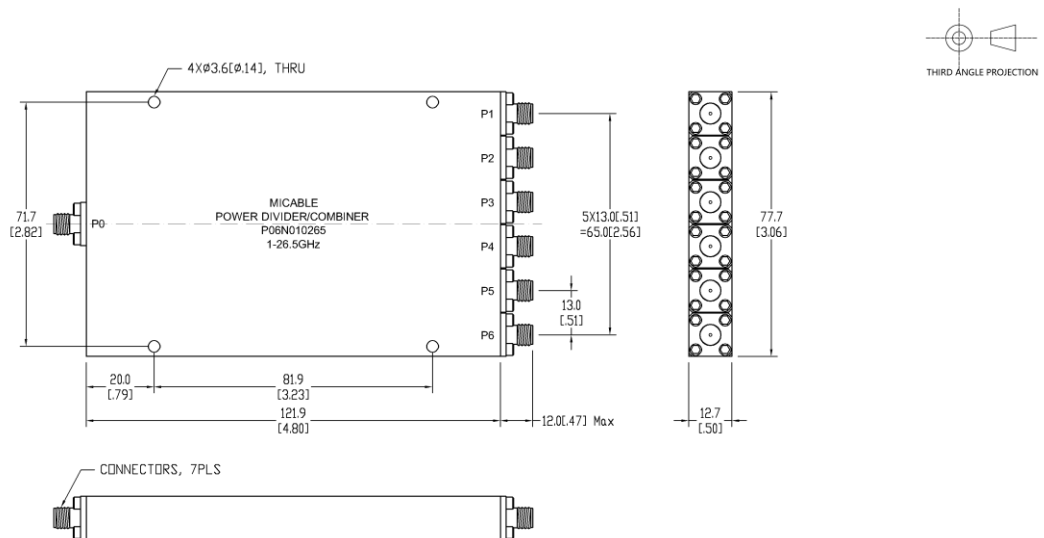
Specifications

Frequency Range	GHz	1-8	8-18	18-26.5
Sum VSWR	:1 (Max.)	1.5	1.5	1.6
Distri. VSWR	:1 (Max.)	1.5	1.5	1.6
Insertion Loss ¹	dB(Max.)	2	3.2	4.3
Amp. Unbalance	dB(Max.)	±0.5	±0.6	±0.7
Phase Unbalance	Deg. (Max.)	±6	±7	±9
Isolation	dB(Min.)	16	18	18
Power ²	W(Max.)	CW: FOR 30, REV 2; Peak: 3000		
Weight	g(Max.)	360	Dimension ³ mm (LxWxH)	121.9x77.7x12.7
Interface	Sum: SMA [F], Distri.: SMA [F]; Stainless steel connector, Per IEC 61169			
Finishing	Alloy iridite, Per MIL-DTL-5541F			
Temperature	Operating: -55~+85°C; Storage: -55~+100°C			
Environmental	Optional: Per MIL-STD-202F (contact supplier for detail info.)			
Eng. Customized	N/A			

Note:

- Above Theoretical Loss 7.8dB
- VSWR ≤ 1.2 required for forward CW; Amp. & phase unbalance required for reversed input signals
- Unless otherwise specified, Decimal tolerance: x.±1; .x±0.5; .xx±0.1

Outline Drawing



Power Divider/Combiner

Model P06N010265 Rev.A

1-26.5GHz 6-Way Power Divider/Combiner, Coaxial connector

Typical Graph

Typical test environment: 25°C and 60%RH

