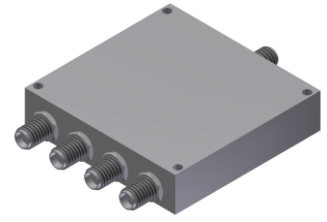


# Power Divider

## Model P04T02000600 Rev.A

2-6GHz 4-Way Power Divider, Coaxial connector



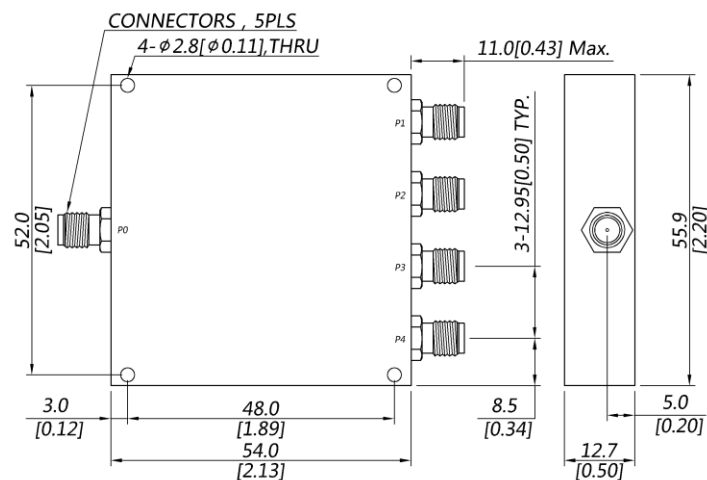
### Specifications

All specifications are subject to change without notice at any time

Frequency Range	GHz	2-6	
Sum VSWR	:1 (Max.)	1.4	
Distri. VSWR	:1 (Max.)	1.3	
Insertion Loss <sup>1</sup>	dB(Max.)	0.8	
Amp. Unbalance	dB(Max.)	±0.3	
Phase Unbalance	Deg. (Max.)	±4	
Isolation	dB(Min.)	18	
Power <sup>2</sup>	W(Max.)	CW: FOR 30, REV 1; Peak: 500	
Weight	g(Max.)	85	Dimension <sup>3</sup> mm (LxWxH) 54.0x55.9x12.7
Interface	Stainless steel connector; Sum: SMA [F], Distri.: SMA [F]		
Finishing	Alloy iridite		
Temperature	Operating: -40~+70°C; Storage: -55~+85°C		
Environmental	N/A		
Eng. Customized	N/A		

- Note:
1. Above Theoretical Loss 6dB
  2. VSWR ≤ 1.2 required for CW
  3. Unless otherwise specified, Decimal tolerance: x.±1; .x±0.5; .xx±0.1

### Outline Drawing



# Power Divider

## Model P04T02000600 Rev.A

2-6GHz 4-Way Power Divider, Coaxial connector

### Typical Graph

Typical test temperature @25°C

