

# Power Divider/Combiner

## Model P02N003265 Rev.C

0.3-26.5GHz 2-Way Power Divider/Combiner, Coaxial connector



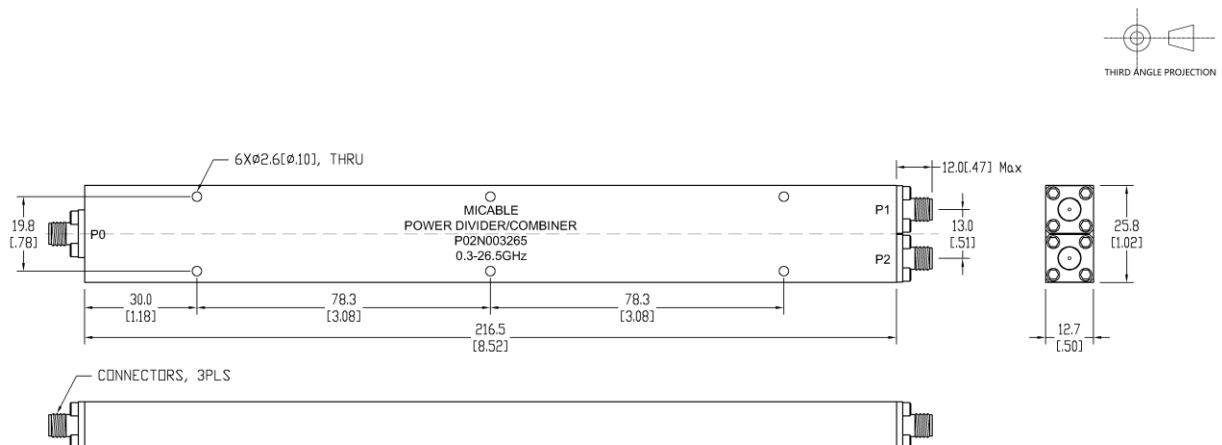
### Specifications

All specifications are subject to change without notice at any time

Frequency Range	GHz	0.3-8	8-18	18-26.5
Sum VSWR	:1 (Max.)	1.5	1.5	1.6
Distri. VSWR	:1 (Max.)	1.5	1.5	1.6
Insertion Loss <sup>1</sup>	dB(Max.)	1.4	2.4	3.2
Amp. Unbalance	dB(Max.)	±0.2	±0.3	±0.4
Phase Unbalance	Deg. (Max.)	±3	±4	±5
Isolation	dB(Min.)	16	18	18
Power <sup>2</sup>	W(Max.)	CW: FOR 30, REV 2; Peak: 3000		
Weight	g(Max.)	235	Dimension <sup>3</sup> mm (LxWxH)	216.5x25.8x12.7
Interface	Sum: SMA [F], Distri.: SMA [F]; Stainless steel connector, Per IEC 61169			
Finishing	Alloy iridite, Per MIL-DTL-5541F			
Temperature	Operating: -55~+85°C; Storage: -55~+100°C			
Environmental	Optional: Per MIL-STD-202F (contact supplier for detail info.)			
Eng. Customized	N/A			

- Note:
- Above Theoretical Loss 3dB
  - VSWR ≤ 1.2 required for forward CW; Amp. & phase unbalance required for reversed input signals
  - Unless otherwise specified, Decimal tolerance: x.±1; .x±0.5; .xx±0.1

### Outline Drawing



# Power Divider/Combiner

## Model P02N003265 Rev.C

0.3-26.5GHz 2-Way Power Divider/Combiner, Coaxial connector

### Typical Graph

@Ambient Temperature

