

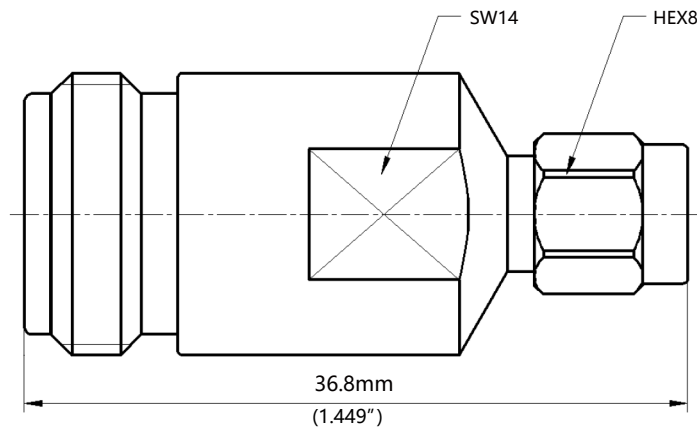
# 50Ω Adapters N Female - SMA Male

Part Number: N-SMA-FM



Electrical Specifications at 25°C, all specifications are subject to change without notice at any time. Rev. A

Frequency Range	DC-18GHz
VSWR (Max.)	1.15:1
Insertion Loss (Max.)	0.2dB
Durability (Min.)	1000 Cycles
Insulation Resistance (Min.)	5000 MΩ
Operating Temperature	-65°C ~ +165°C
Body Material	Stainless Steel Passivated
Center Conductor	Beryllium Gold Plated
Dielectric	PEI&PTFE



# 50Ω Adapters N Female - SMA Male

Part Number: N-SMA-FM



Electrical Specifications at 25°C, all specifications are subject to change without notice at any time. Rev. A



Typical Graph

