

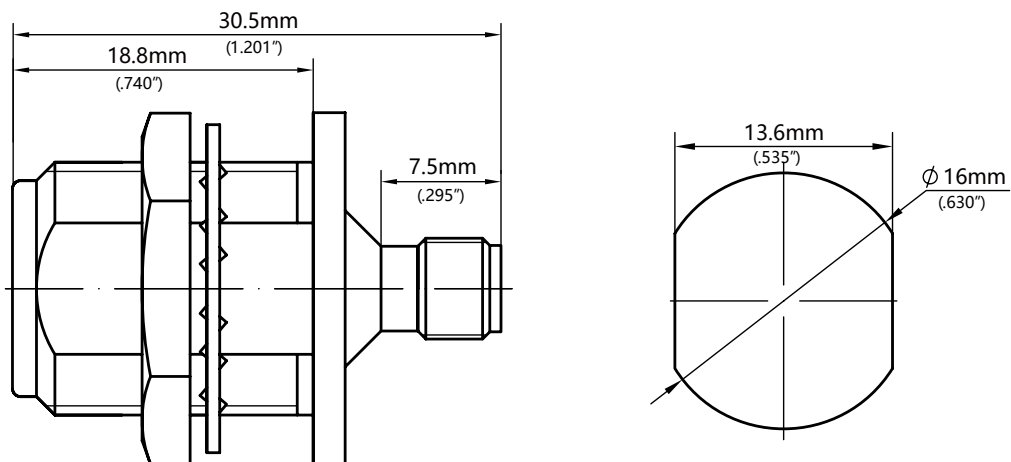
# 50Ω Adapters N Female - SMA Female Bulkhead

Part Number: N-SMA-FFYC



Electrical Specifications at 25°C, all specifications are subject to change without notice at any time. Rev. A

Frequency Range	DC-6GHz
VSWR (Max.)	1.25:1
Insertion Loss (Max.)	0.1dB
Durability (Min.)	1000 Cycles
Insulation Resistance (Min.)	5000 MΩ
Operating Temperature	-65°C ~ +165°C
Body Material	Brass Nickel Plated
Center Conductor	Beryllium Copper Gold Plated
Dielectric	PTFE



# 50Ω Adapters N Female - SMA Female Bulkhead

Part Number: N-SMA-FFYC



Electrical Specifications at 25°C, all specifications are subject to change without notice at any time. Rev. A



Typical Graph

