

## ◆ Product Description

Micable has developed one programmable attenuator MDA020180-50E covering 2-18GHz, and user can control the attenuator via USB/Ethernet control with 0.1dB step, 50dB attenuation dynamic range over whole band. User can control this unit through the GUI user interface software provided by Micable, or control this unit by programming through the DLL dynamic link library file. Custom designs are available with frequency range over 0.5-40GHz.

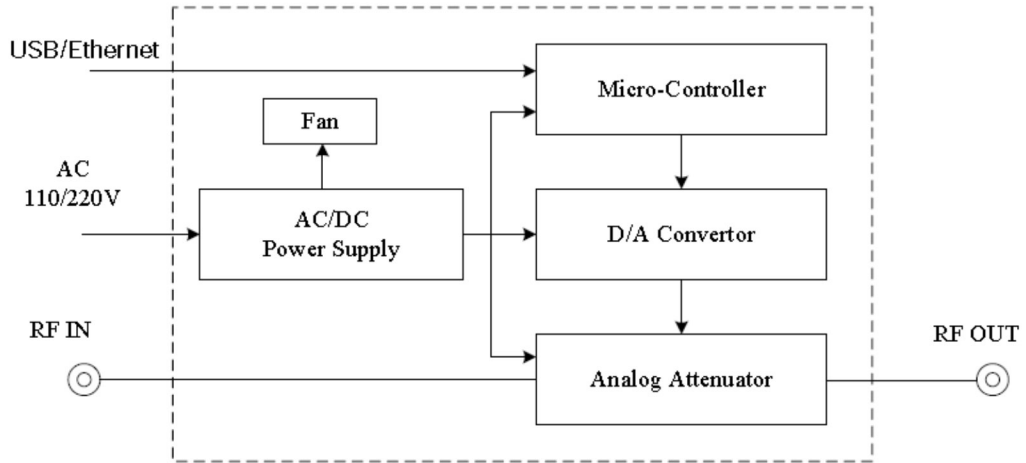
## ◆ Key Features

- Wide Attenuation dynamic range, up to 120dB
- Wide frequency range option, 0.5-40GHz option
- Fine attenuation resolution, down to 0.1dB
- High absolute attenuator accuracy, 0.2dB Max, 0.1dB Typ.
- USB/Ethernet control, easy to install and use
- User friendly Graphical User Interface for any Windows® 32 or 64 bit computer

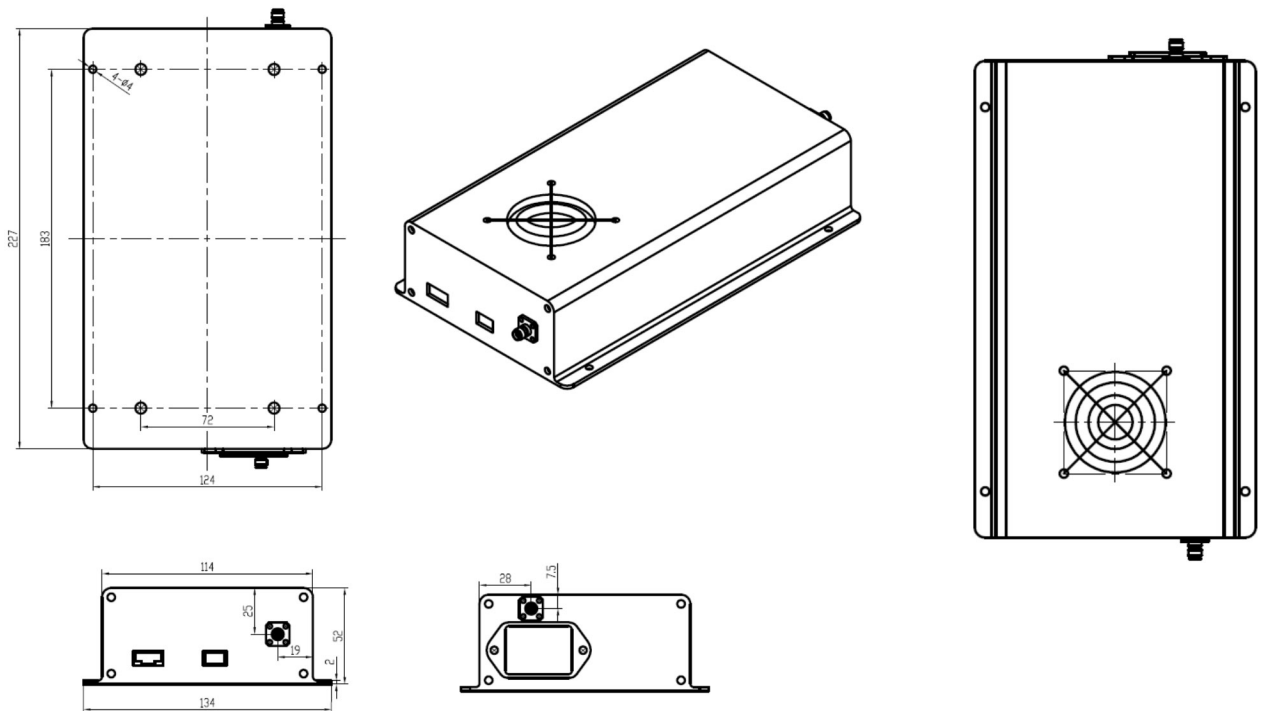
## ◆ Specifications

Electrical Specifications at 23±3°C						
Parameter	Frequency Range	Conditions	Min.	Typ.	Max.	Units
Attenuation Range	2-18GHz	0.1dB step	0	-	50	dB
Attenuation Accuracy	2-18GHz	@0-50dB	-	±0.1	±0.2	dB
Insertion Loss	2-18GHz	@0dB	-	-	4.5	dB
VSWR	2-18GHz	@0-50dB	-	-	2.2	:1
Input Operation Power (RF in and RF out ports)	2-18GHz	-	-	-	17	dBm
Min Dwell Time	2-18GHz	High speed mode	-	5	-	mSec
Supply Voltage	-	-	100	-	240	VAC
Control Ports	USB/Ethernet					
RF IN/OUT Connector	SMA-F					
Size	227x114x50 mm (Without base plate)					
Operating Temperature	0°C to 70°C					
Storage Temperature	-20°C to 80°C					

◆ Schematic Diagram



◆ Outline Drawing



Dimensions are in mm.