

◆ Product Description

Micable has developed one programmable attenuator MDA004080-50E covering 0.4-8GHz, and user can control the attenuator via USB/Ethernet control with 1dB step or down to 0.1dB option, 50dB attenuation dynamic range over whole band. User can control this unit through the GUI user interface software provided by Micable, or control this unit by programming through the DLL dynamic link library file. Custom designs are available with frequency range over 0.5-40GHz.

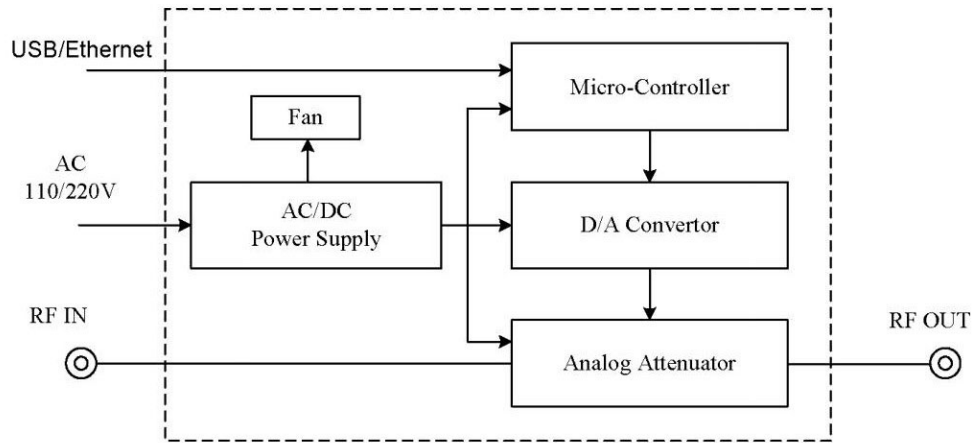
◆ Key Features

- Wide attenuation dynamic range, up to 120dB option
- Wide frequency range option, 0.5-40GHz option
- Fine attenuation resolution, down to 0.1dB option
- High absolute attenuator accuracy, 0.2dB Max, 0.1dB Typ.
- USB/Ethernet control, easy to install and use
- User friendly graphical user Interface for any windows® 32 or 64 bit computer

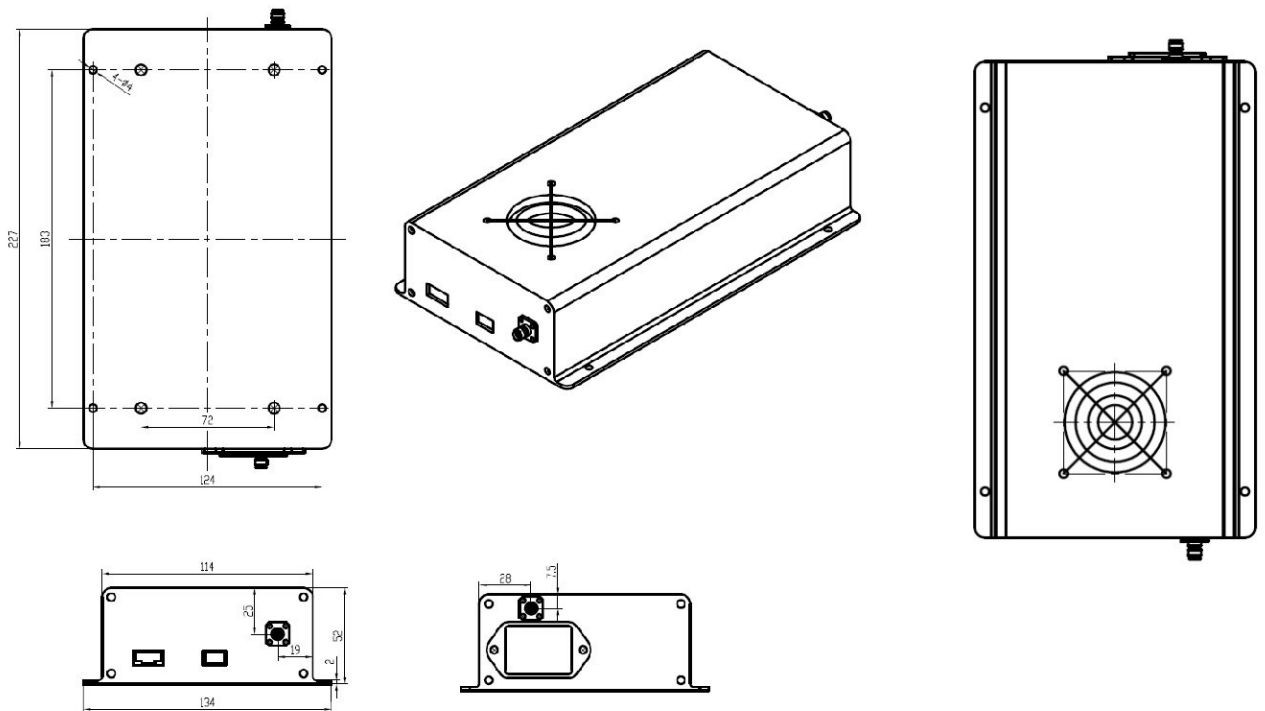
◆ Specifications

Electrical Specifications at 23±3°C					
Parameter	Frequency Range	Conditions	Min.	Typ.	Max.
Attenuation Range	0.4-8 GHz	1 dB Step Or 0.1dB Option	0		50 dB
Attenuation Accuracy		@0-50 dB		±0.1 dB	±0.2 dB
Insertion Loss		@0 dB Att			4.5 dB
VSWR		@0-50 dB			2.0
Input Operation Power (RF In & RF Out Ports)		Without Performance Degradation			17 dBm
Survival Input Power (RF In & RF Out Ports)		No damage			33dBm
Supply Voltage				100 VAC	
Control Ports	USB / Ethernet				
RF In / Out Connector	SMA-F				
Size	227x114x50mm (Without Base Plate)				
Operating Temperature	0°C to 50°C				
Storage Temperature	-20°C to 70°C				

◆ Schematic Diagram



◆ Outline Drawing



Dimensions are in mm.