

# DC-40GHz 2W 50Ω 2.92mm Precision Fixed Attenuator

## Model: FA40-02XX-KMKF

-XX: Attenuation Value (1-10,15,20,30dB), '01' for 1dB attenuation, etc.



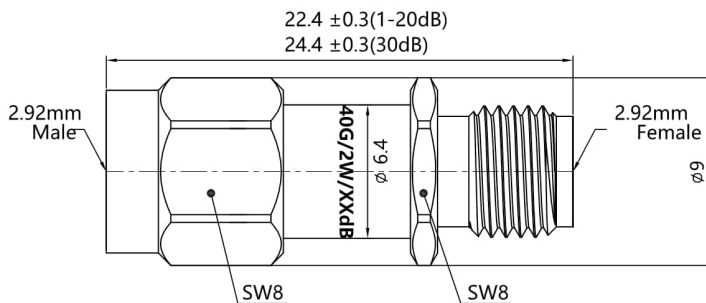
Electrical Specifications at 25°C, all specifications are subject to change without notice at any time. Rev. A

Attenuation (dB)	Accuracy (dB)		VSWR ( : 1)		
	DC-26.5GHz	26.5-40GHz	DC-18GHz	18-26.5GHz	26.5-40GHz
1	-0.8~+0.8	-0.8~+1.0	≤1.25	≤1.30	≤1.35
2					
3					
4					
5					
6					
7					
8					
9					
10					
15	-1.0~+1.3	-1.0~+1.5			
20					
30					

Electrical & Mechanical Specifications

Input Power	2W
Operating Temperature	-55°C ~ +125°C
Durability (Min.)	500 Cycles
Shielding Effectiveness (Min.)	-95dB
Connector Type	2.92mm (Male) - 2.92mm (Female)
Body Material	Stainless Steel, passivated
Center Conductor	Beryllium Bronze/Brass, gold plated
Dielectric	PEI

Unit: mm



2D Outline Drawing