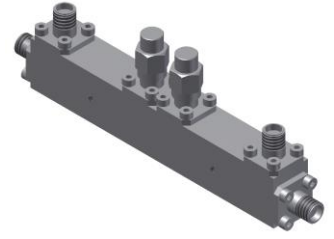


Dual-Directional Coupler

Model D10B020400 Rev.B

2-40GHz 10dB Dual-Directional Coupler, Coaxial connector



Specifications

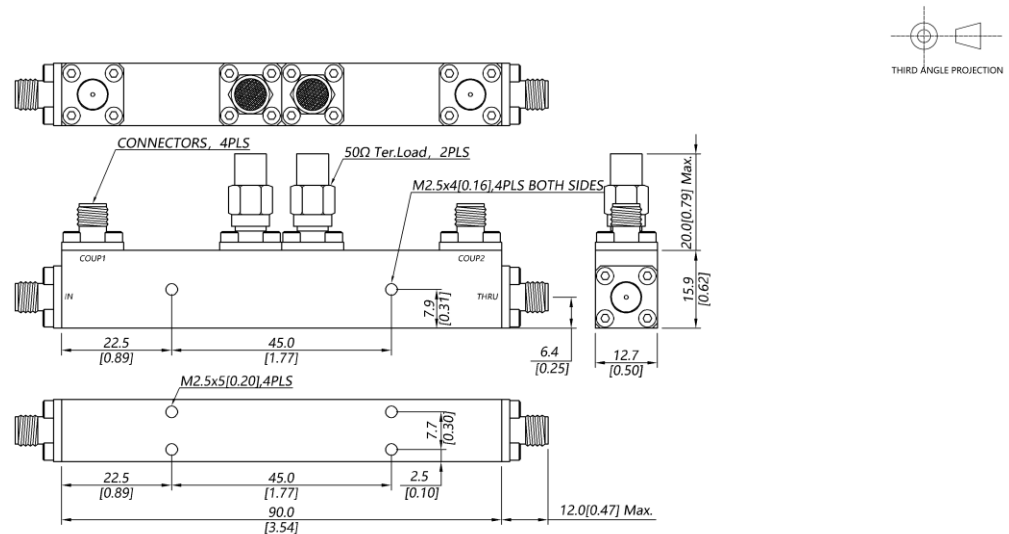
All specifications are subject to change without notice at any time

Frequency Range	GHz	2-18	18-26.5	26.5-40
Main Line VSWR	:1 (Max.)	1.5	1.6	1.7
Coupling VSWR	:1 (Max.)	1.5	1.6	1.7
Insertion Loss ¹	dB(Max.)	2.4	2.8	3.3
Coupling	dB(Max.)	10±0.9	10±0.9	10±0.9
Flatness	dB(Max.)	±1	±1	±1
Directivity	dB(Min.)	14	12	11
Power ²	W(Max.)	CW: 20; Peak: 3000		
Weight	g(Max.)	85	Dimension ³ mm (LxWxH)	90.0x12.7x15.9
Interface	Stainless steel connector; Input: 2.92mm [F], Thru.: 2.92mm [F], Coup.: 2.92mm [F]			
Finishing	Nickel plating			
Temperature	Operating: -55~+85°C; Storage: -55~+100°C			
Environmental	Per MIL-STD-202F, Method 107D, 204D, 213B (optional, contact supplier for detail info.)			
Eng. Customized	N/A			

Note:

1. Theoretical 0.92dB Included
2. VSWR ≤1.2 required for CW
3. Unless otherwise specified, Decimal tolerance: x.±1; .x±0.5; .xx±0.1

Outline Drawing



Dual-Directional Coupler

Model D10B020400 Rev.B

2-40GHz 10dB Dual-Directional Coupler, Coaxial connector

Typical Graph

Typical test temperature @25°C

