

50Ω Adapters 2.92mm Female - 2.92mm Female Bulkhead

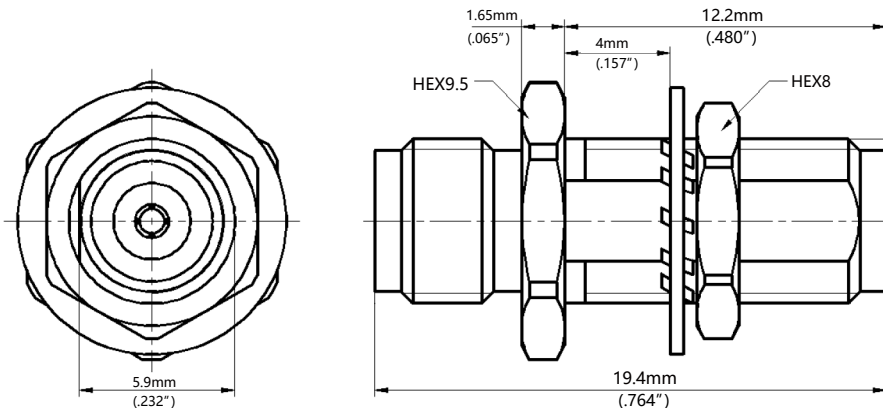
Part Number: 292-FFY



Electrical Specifications at 25°C, all specifications are subject to change without notice at any time. Rev. A

Frequency Range	DC-40GHz
VSWR (Max.)	1.20:1
Insertion Loss (Max.)	0.3dB
Durability (Min.)	1000 Cycles
Insulation Resistance (Min.)	5000 MΩ
Operating Temperature	-65°C ~ +165°C
Body Material	Stainless Steel Passivated
Center Conductor	Beryllium Copper Gold Plated
Dielectric	PEI

Electrical & Mechanical Specifications



2D Outline Drawing

50Ω Adapters 2.92mm Female - 2.92mm Female Bulkhead

Part Number: 292-FFY



Electrical Specifications at 25°C, all specifications are subject to change without notice at any time. Rev. A

MiCable

Typical Graph

