

50Ω Adapters 1.85mm Female - 2.92mm Female

Part Number: 185-292-FF

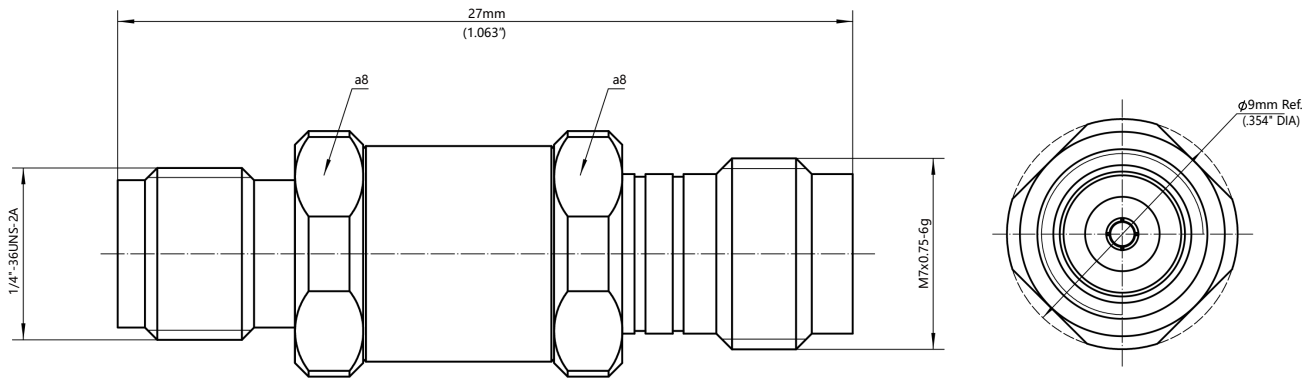


Electrical Specifications at 25°C, all specifications are subject to change without notice at any time. Rev. A

Frequency Range	DC-40GHz
VSWR (Max.)	1.15:1
Insertion Loss (Max.)	0.3dB
Durability (Min.)	1000 Cycles
Insulation Resistance (Min.)	2000 MΩ
Operating Temperature	-65°C ~ +165°C
Body Material	Stainless Steel Passivated
Center Conductor	Beryllium Bronze Gold Plated
Dielectric	PEI

Electrical & Mechanical Specifications

2D Outline Drawing



50Ω Adapters 1.85mm Female - 2.92mm Female

Part Number: 185-292-FF



Electrical Specifications at 25°C, all specifications are subject to change without notice at any time. Rev. A



Typical Graph

